
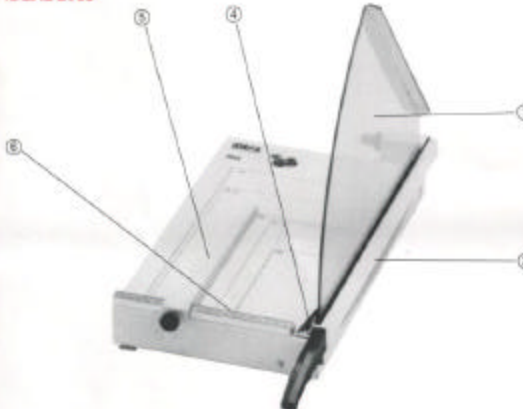
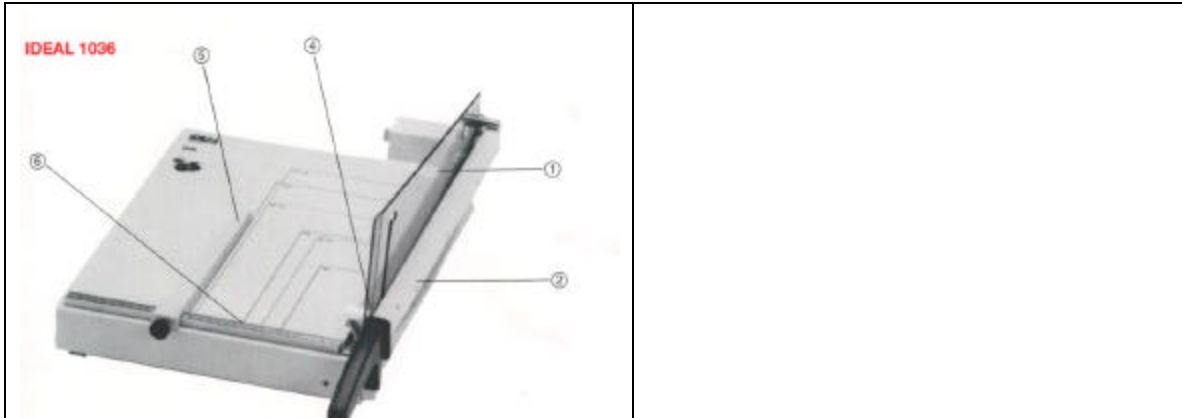


IDEAL CUTTERS
Model 1038 Model 1058
Model 1071 Model 1080
Model 1110

| | |
|--|---|
| <p>IDEAL 1035</p>  | |
| <p>IDEAL 2035</p>  | <ol style="list-style-type: none">1. Knife guard2. Manual clamp3. Knife carrier4. Front gauge with narrow-strip-cutting device5. Paper supports6. Back gauge7. Side lay with cm / inch scale8. Rotary knob for adjustment of front gauge9. Locking screw for front gauge10. Collapsible extension table11. Foot clamp |



Safety Regulations

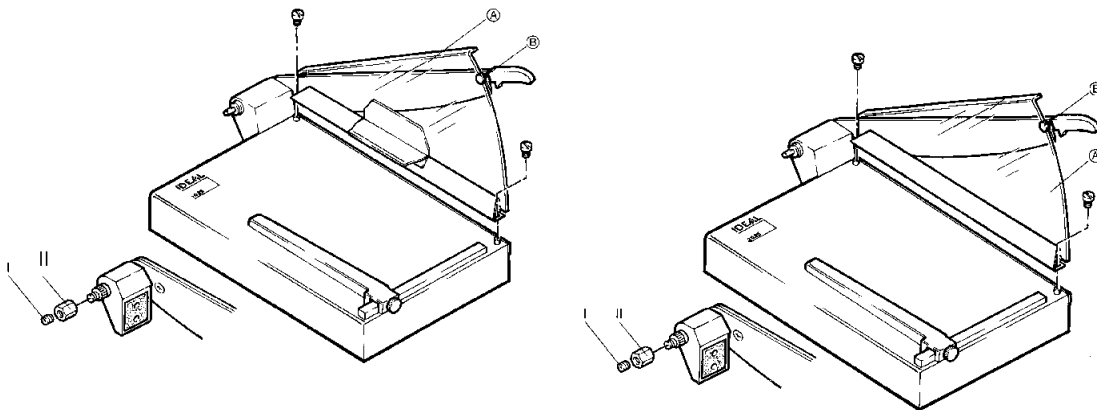
IDEAL Trimmers comply with international safety regulations and are safety-tested.

All trimmers are provided with approved safety guards (#1). For a safe operation of the trimmers it is important, that the knife guard is not taken off.

The knife carrier (#3) is fitted with a friction device. If adjusted correctly, this friction device insures, that the knife carrier (#3) with the knife cannot move down on its own from any position.

If the blade and blade carrier fall by themselves the friction device must be adjusted as follows:

For the model 1038 loosen the set screw (I). Tighten the lock nut (II) and retighten the set screw (I). For modes 11058, 1071, 1081 and 1110, tighten the lock nut (III). While holding the lock nut (III) in place with a second crescent wrench, tighten the lock nut (IV).



Installation:

The models IDEAL 1038 and IDEAL 1058 do not need any assembly. On models IDEAL 0171, 1080 and 1110 the clamp with the attached knife guard has been taken off for shipping.

For re-assembling proceed as follows:

IDEAL 1071

- Place clamp with knife guard (A) as illustrated on the machine. The knife guard must be caught behind the guiding screw (B). Turn allen screws into fixing points and tighten. Allen wrench and screws are packed with the machines.

IDEAL 1080 and IDEAL 1110:

- Remove two hex nuts on fixing points of the clamp bar and open knife slightly. Place knife guard with attached clamp bar (A) on machine. Make sure, that the knife guard is caught behind the guiding bracket (B). Screw hex nut on – don't tighten. Hold thread bolt with a screw driver in position whilst tightening the hex nuts. (By turning the thread bolts with a screw driver the clamp bar can be readjusted if necessary.)

Operation:

- The front gauge with narrow-strip cutting device (#4) can be adjusted by means of a rotary knob (#8). For repeat cuts tighten the locking screw for the front gauge (#9). Narrow cutting determined as the cutting range between 1 and 10 mm when using the front gauge. With the knife in upper position, the front gauge can be adjusted to a strip size within this range and locked by tightening the screw (#9). When cutting, the flexible mounted front gauge is pushed aside. When the cut is executed and the knife is opened again, the front gauge flips automatically back to the adjusted size.
- The models IDEAL 1080 and IDEAL 1110 are provided with a collapsible extension table (#10). If the table is brought to its working position, it will engage automatically. To lower the table, disengage the holding mechanism by pulling the table on its long side away from the knife and fold it down.
Important – The carrying capacity of the table is limited.

Service:

- All IDEAL trimmers are furnished with high quality knife sets made of Solligen steel, which can be re-sharpened when necessary.