

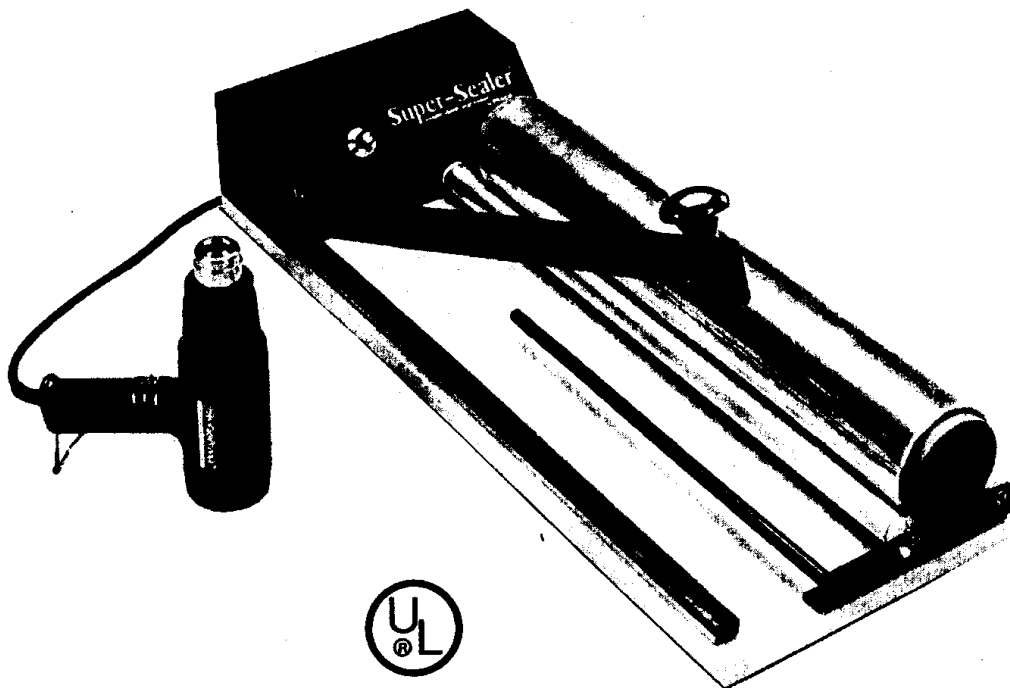
OfficeZone.com™

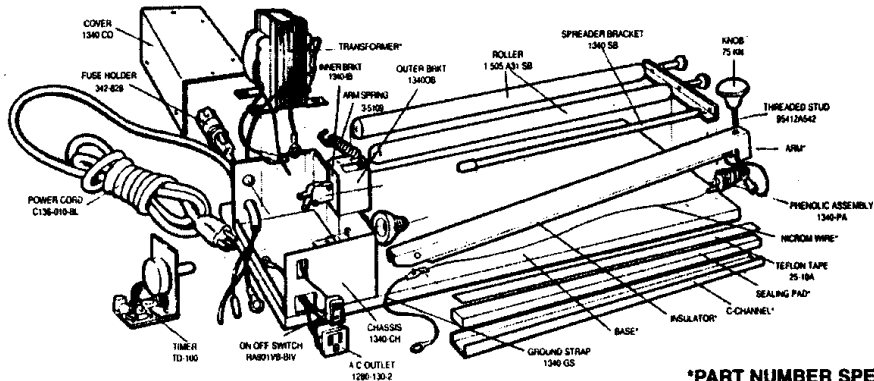
1-800-543-5454

(801) 927-3026

Super-Sealer™ Shrink Wrap System

Owner's Guide





***PART NUMBER SPECIFIC TO MACHINE SIZE**

Model Number	SS-13	SS-18	SS-24	SS-32	SS-40
Applications	Video Cassettes, Computer Software, CDs/Tapes, Books/Magazines	Printing Computer Software, Manuals, CDs/Tapes, Hardware	Printing, General packaging, Damaged packaging, Recovery	Art/Frame, Gift Baskets, Posters, Retail Packaging	Art/Frame, Gift Baskets, Posters, Retail Packaging
Length of Sealing Area	13"	18"	24"	32"	40"
Max. Film Width	13"	18"	24"	32"	40"
Max. Film Weight	100 lbs	100 lbs	100 lbs	100 lbs	100 lbs
Film Core Diameter	1-7/8" & 3"	1-7/8" & 3"	1-7/8" & 3"	1-7/8" & 3"	1-7/8" & 3"
Power Supply (primary)	110 VAC	110 VAC	110 VAC	110 VAC	110/220 VAC
Voltage (secondary)	14 VAC	20 VAC	30 VAC	36 VAC	38 VAC
Amperage	6 amps	6 amps	6 amps	6 amps	6 amps
Cycles	50/60 Hz, 1 phase	50/60 Hz, 1 phase	50/60 Hz, 1 phase	50/60 Hz, 1 phase	50/60 Hz, 1 phase
Deluxe Heat Gun			110 A/C – 60 Hz – 1100 watts – Temperature range 450° F / 1100° F. Weight: 1 lb 8 oz		
Var. Temp Heat Gun			110 A/C – 60Hz – 1100 watts – Temperature range 250° F / 1100° F. Weight: 2 lbs		

Safety Instructions

Before using your new Super Sealer, please take a few minutes to carefully read all the instructions. Pay close attention to safety guidelines and warnings included for your protection.

SAVE THESE INSTRUCTIONS FOR FUTURE REFERENCE.

Warning:

- For safe operation, read manual thoroughly.
- A live heating element is located on the underside of the arm under the Teflon tape. Use caution during operation. DO NOT TOUCH THE ELEMENT.
- Know your work environment. Make sure the work area is clean and dry before using the sealer. This electrical appliance can be a potential shock or fire hazard, especially if operated near refuse or in a wet environment.
- Never operate the machine barefoot. Doing so greatly increases your risk of electrical shock.
- Sealer should only be connected to a standard 110 volt 15 amp wall receptacle. No other form of wiring is safe or advisable.
- To reduce the risk of fire or electric shock, do not expose to rain or moisture. Store indoors.
- Stay alert! Always pay attention to the work at hand and use common sense when operating this and all tools. Do not operate the sealer when you are tired or taking medication or drugs that may make you drowsy.
- Disconnect the sealer when not in use. Avoid unintentional starting. A sealer if left on could start and burn if the arm came down due to a broken spring or if something fell on the arm.
- If the sealer stops during operation or otherwise ceases to function properly, disconnect from the power supply and call a qualified service technician.
- Never attempt any repairs on the sealer. A qualified service technician must do all repairs. The parts supplied in your maintenance parts kit are for maintenance of the machine to keep it in good operating condition and may be an exception to this rule.
- Inspect power cords periodically and if damaged, have repaired by a qualified service technician.
- Never yank the cord from an electrical outlet or use it to tie down the arm, or any other purpose other than that for which it was intended.
- Guard against electric shock by preventing contact with grounded surfaces or other appliances.
- Keep children and visitors away from the work area and the sealer and its accessories.
- Keep work area well lighted.
- Always store sealer in a safe place, out of the reach of children.
- Never try to seal anything other than plastic films intended for use on this sealer.
- Never use the sealer after partial failure.
- Maintain proper footing and balance at all times.
- Do not wear loose-fitting clothing or jewelry. Wear non-skid footwear and a protective hair covering to contain long hair.
- Always wear eye protection and protective work gloves at all times.
- Never use the sealer near flammable materials or gases.
- When servicing, use only identical replacement parts.
- If arm spring breaks, disconnect sealer from power supply immediately and call a qualified service technician.
- Only use AC outlet on side of machine with accessories intended for that purpose and rated to the capacity listed by the outlet.
- Only use fuse of capacity listed by the fuse holder.

Cleaning:

- Never use anything abrasive to clean the heating element, (i.e. steel wool, emery cloth or board, etc.). These can damage the wire and cause premature breakage.
- To clean the heating wire – first remove the pad from the channel under the arm. Then pull the arm down and allow the residue to burn off the arm. Wipe anything still clinging to the arm off with a piece of cardboard. After the wire has cooled and is visibly clean, cover with a new piece of 3 mil Teflon tape. NOTE: Teflon tape over the wire is only required when using PVC Shrink film or Polyethylene to prevent build-up on wire and excessive smoking. When using Polyolefin type films it is not required or suggested. The 10 mil Teflon tape on the sealing pad is always required for every application.

- To clean other exterior parts of the sealer, any non-flammable spray cleaner will suffice.
- Cleaning the sealer internally is not suggested or advised.
- If Teflon tape appears to be burnt, worn or damaged replace with a new piece of tape.

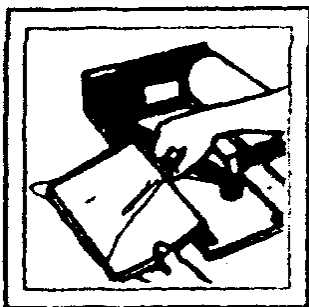
Super Sealer Shrink Packaging Systems Operation Instructions

- 1) Plug power cord into 110 VAC 15A wall outlet.
- 2) Turn power on by depressing rocker switch. No warm-up time is required.
- 3) Plug the heat gun into AC outlet on left hand side of box.
- 4) Separate film and place around spreader bar. (If model is equipped with the optional perf roller, first load film between the perf wheel and plate, then around the spreader bar.)
- 5) Pull film to the desired length on the left hand side of sealing arm and sealing pad. Open film and insert package. Roll excess film back onto the roll so that package is approximately even with edge of sealing pad.
- 6) Holding package in left hand bring the sealing arm down film onto the film and pad. With the arm in the down position, gently pull package away in a teaming motion from the pad until package is completely separated from pad. (When using the Deluxe Machine with timer, adjust dial to proper setting and bring the arm down until LED indicator turns off. Release arm and your cut and seal is now complete.) **IF THE CUTTING AND SEALING PROCESS TAKES LONGER THAN 3 TO 5 SECONDS YOU ARE USING THE MACHINE INCORRECTLY AND YOU SHOULD CALL YOUR LOCAL REPRESENTATIVE FOR ASSISTANCE.** Turn package counter clockwise and repeat procedure to cut and seal the remaining edge of the film. (If model comes with the optional cutting blade located on the sealing arm, first position the blade to the middle of the film you are cutting. Next bring the sealing arm firmly down so the blade punctures the film, and then slide the blade from side to side. With the arm still in the down position, gently pull package away from the pad.)
- 7) To shrink film around the product, adjust heat gun to desired temperature. Holding gun approximately 12" from product begins to shrink film around the seams first and then toward the middle in a circular motion until package has a glass-like appearance.

DO NOT HOLD GUN IN THE SAME POSITION FOR MORE THAN A FEW SECONDS. THIS WILL CAUSE THE FILM TO BURN RATHER THAN TO SHRINK.

Warning: Heat gun should not be left on when air intake vents are blocked or for a prolonged period of time to prevent overheating! Make certain that switch is in the off position to ensure that both the blower and heating element are shut off, or heat damage may occur.

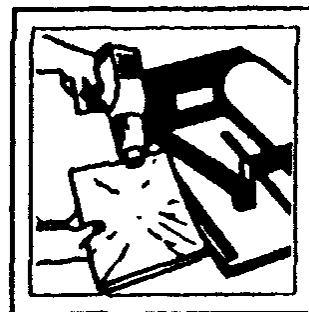
- 8) Always turn your Super Sealer Shrink Packaging System off when not in use.



STEP 1



STEP 2



STEP 3

Trouble shooting / recommendations

Symptom: Centerfold shrink film will not separate or open.

Recommendation: If shrink film appears to be single sheet, place a strip of tape on top of the film and on the bottom and pull apart to initially separate.

Symptom: Film appears to smoke or is sticking to wire when seal is made.

Recommendation: This can mean one of several things:

- 1) With PP or PO film, wire must be kept clean by removing sealing pad and depressing arm until wire burns clean all film residue. **No Teflon tape required on arm.**
- 2) PVC film will smoke when seal is made. Teflon tape over the heating element will prevent the film from smoking and will occasionally need to be replaced. **For Teflon tape or other parts, call the service number.**

Symptom: Burning holes in the shrink film with the heat gun.

Recommendation: If gun is set on high temperature and held in the same spot for more than a few seconds, the film will burn. Gun should be continually moving in a circular spiral motion from the outside edges of the package first, and to the middle of the package last.

Symptom: Arm is not properly cutting and sealing shrink film.

Recommendation:

- 1) On/Off switch may not be turned on.
- 2) Timer on Deluxe Model may not be set properly.
- 3) Arm may not be in complete contact with pad. (Gentle Pressure).
- 4) Excessive pressure applied to sealing arm.
- 5) Wire may need cleaning.

Symptom: Setting timer properly on the Deluxe Model.

Recommendation: Timer should be set to allow the minimal amount of time necessary to cut and seal the film. The setting will vary according to type of film in use. Setting timer too high will burn the film. PVC film will require a lower setting than most other films. Timer may need to be adjusted to lower setting as machine is used in a continuous or rapid manner.

The air inside the package expands as the film is heated. The quickest way to vent the film is to cut what amounts to the asterisk (*) into the closed end of the centerfold. The smaller your package, the more lines you should cut to make sure every package has at least one vent hole. This will prevent package from ballooning.

Cut Slits 1/16" deep

