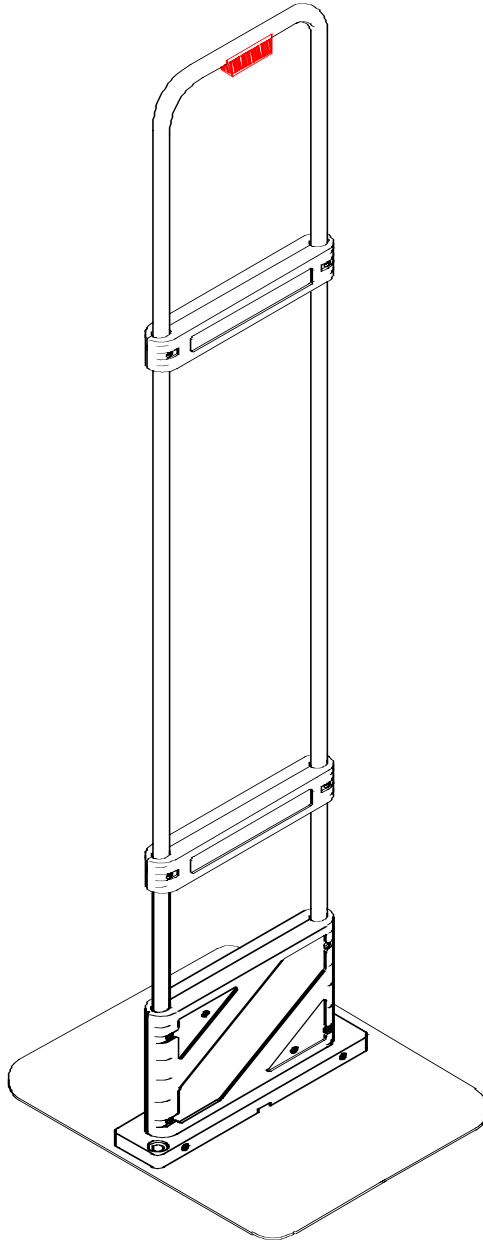


Ketec, Inc

Shoplifting Protection



**VECTOR
KT7105-A**

06502

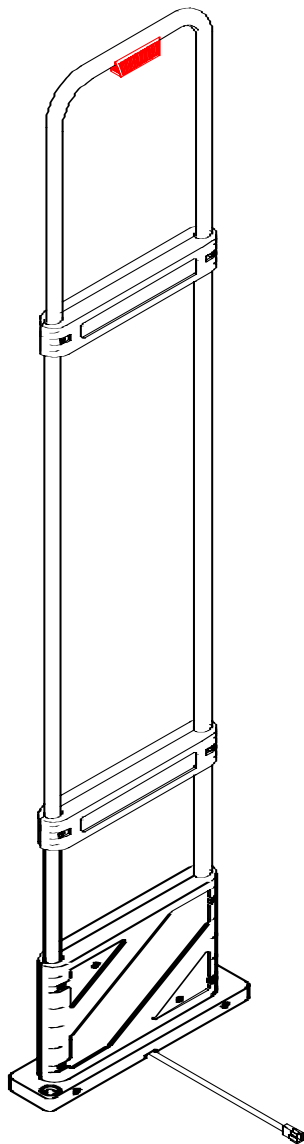
VECTOR USERS GUIDE INDEX

Parts List	1
Assembly Instructions.....	2
Positioning the System	3
Tagging Guidelines	4
Removing Hard Tag.....	7
Detection Area	9
Alarm Handling	10
Troubleshooting	11
Warranty.....	Back Cover

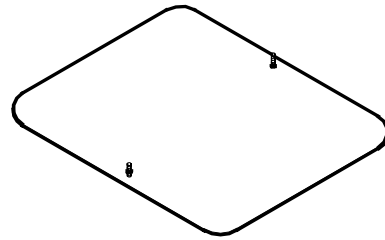
PARTS LIST

Remove all contents from packaging. Compare products with the example. If you are missing any parts please contact your supplier immediately. The carton should contain:

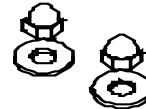
VECTOR ANTENNA WITH WIRE



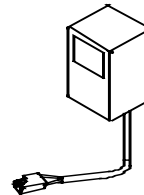
BASEPLATE



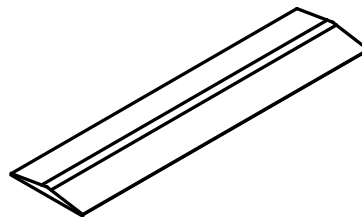
CAP NUTS AND WASHERS



POWER SUPPLY WITH 10' OF CORD

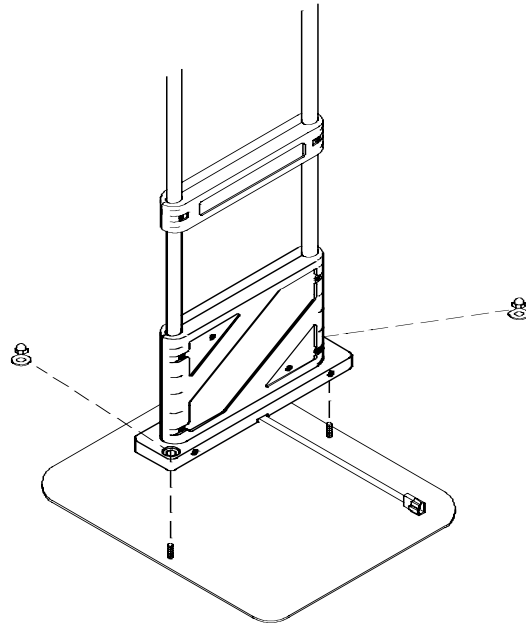


5' RUBBER MOLDING & DOUBLE SIDED TAPE

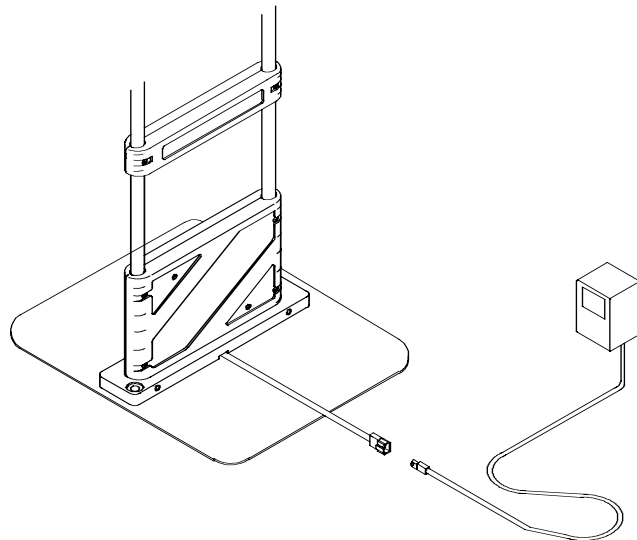


ASSEMBLY INSTRUCTIONS

1. Locate the baseplate, cap nuts and washers.
2. Place the antenna on top of the baseplate, aligning the holes in the antenna base with the studs on the baseplate. Make sure that the power supply wire is in the channels of the antenna base and is not crushed between the antenna base and the baseplate.
3. Attach the washers and cap nuts to the bolts on the baseplate. **DO NOT TIGHTEN.**
4. Again make sure that the power wire is not crushed between the antenna base and baseplate and tighten the cap nuts with a $\frac{1}{2}$ " wrench.

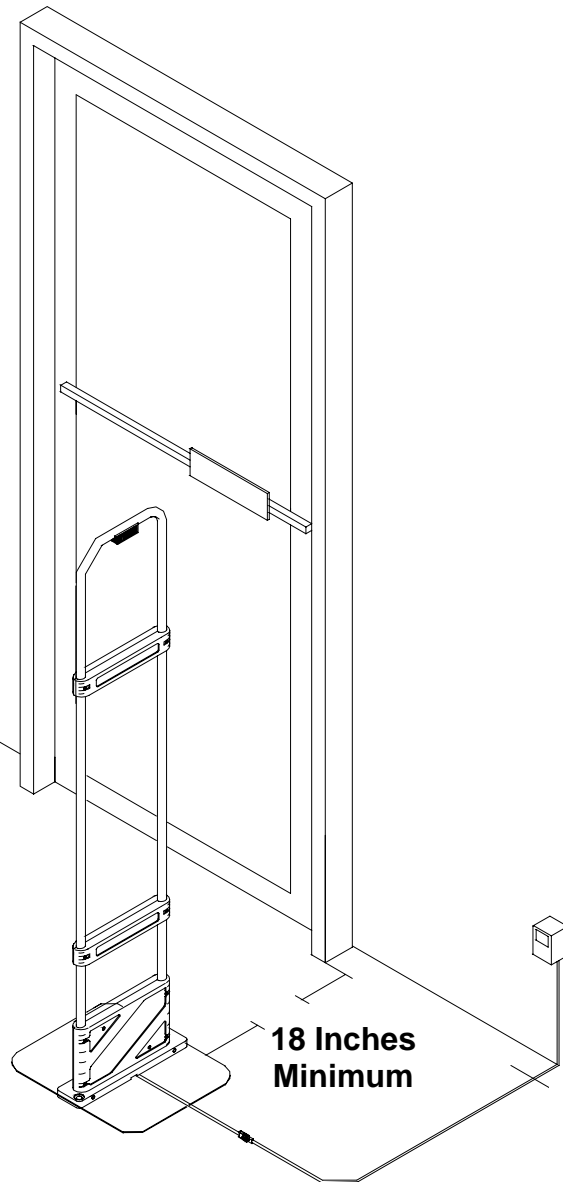


5. Connect the wire on the power supply to the power wire connected to the antenna. The wires will only connect in one direction.



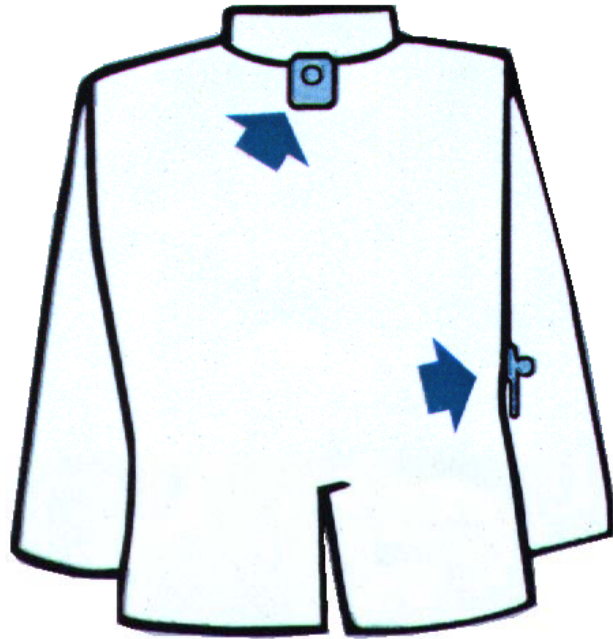
POSITIONING THE SYSTEM

6. Position the system a minimum of 18" (Inches) from the doorframe and on the side closest to the door handle.
7. Cut the rubber molding to the length that will allow it to cover the wire from the wall to the system. You must cover the wire, using a metal pancake molding if the wire is in an area where it will be walked upon.
8. Insert the system power wire into the rubber pancake molding through the slit on the back. Using double sided tape fasten the rubber molding to the floor.
9. Plug the power supply into the closest outlet. We do not recommend using an extension cord for the system.
10. Test the system by placing one of the hard tags into the system. The system will beep approximately 1-1/2 seconds then reset. If a hard tag is held in the system it will continue to alarm.



TAGGING GUIDELINES

1. The tag should be visible to the customer.
2. Tag uniformly, it speeds up removal.
3. Tag near a price label. It assists in the removal.
4. Place the tag as high as possible when tagging silks & light or stretchy fabrics.
5. Except for leather goods we do not recommend locating the tag at the seams. The seams are easily cut open to remove the pin.
6. Avoid placing tags on waistbands, cuffs, hems or perimeters. They can be easily cut off.
7. Insert pins through the garment then gently push into the tag.
8. Never force the pin into the tag.
9. Never use bent pins.

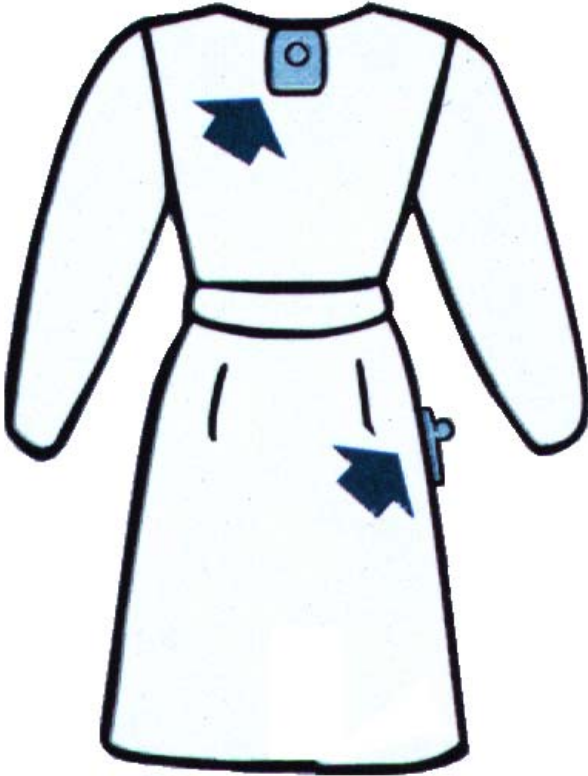


Shirts/Blouses/Jackets

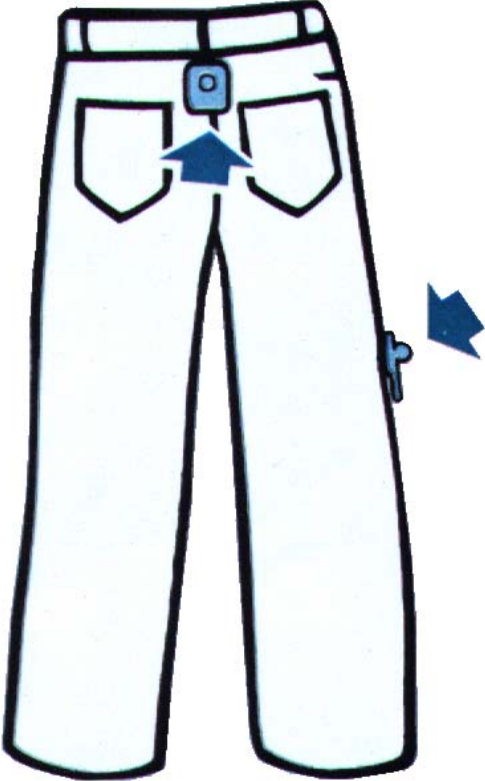


Skirts

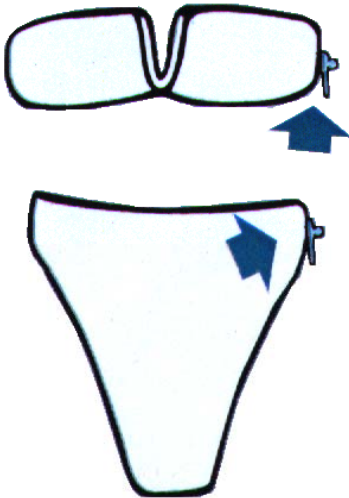
TAGGING GUIDELINES



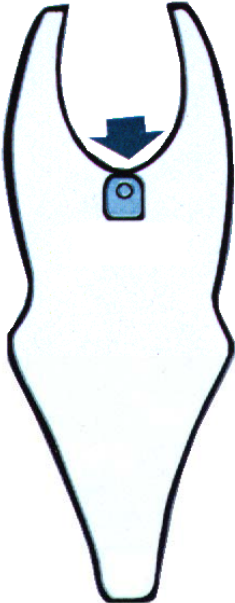
Dresses



Pants

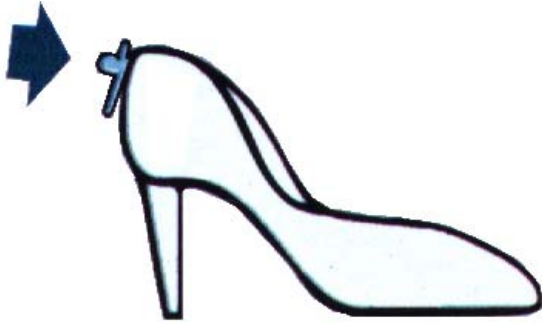


Bikini Bathing Suit



One Piece Bathing Suit

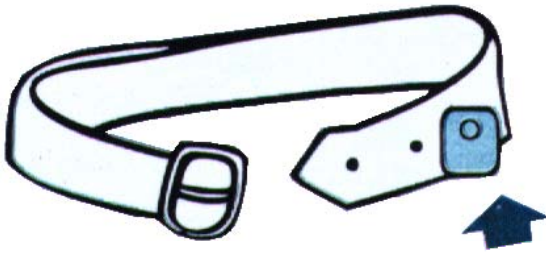
TAGGING GUIDELINES



Shoes



Tennis Shoes



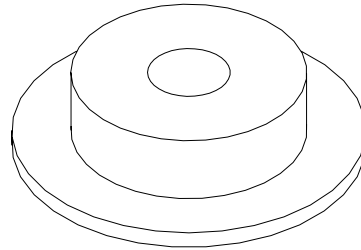
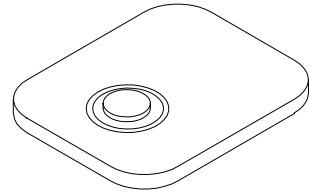
Belts



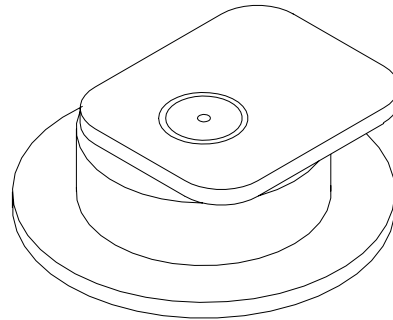
Purses

REMOVING HARD TAG

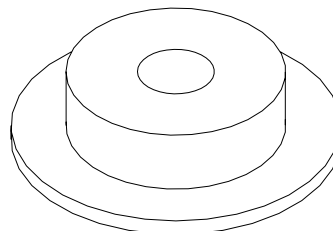
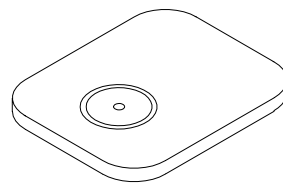
1. Place the hard tag into the detacher with the pin facing up.



2. Remove the pin by holding the hard tag to the detacher and pulling straight up on the pin or garment.



3. Remove the pin and hard tag from the detacher and store for future use.



REMOVING HARD TAG

It is possible for the locking mechanism to become jammed when the pin is pulled extremely hard. It is possible to un-jam the pin so that you will be able to remove it when needed.

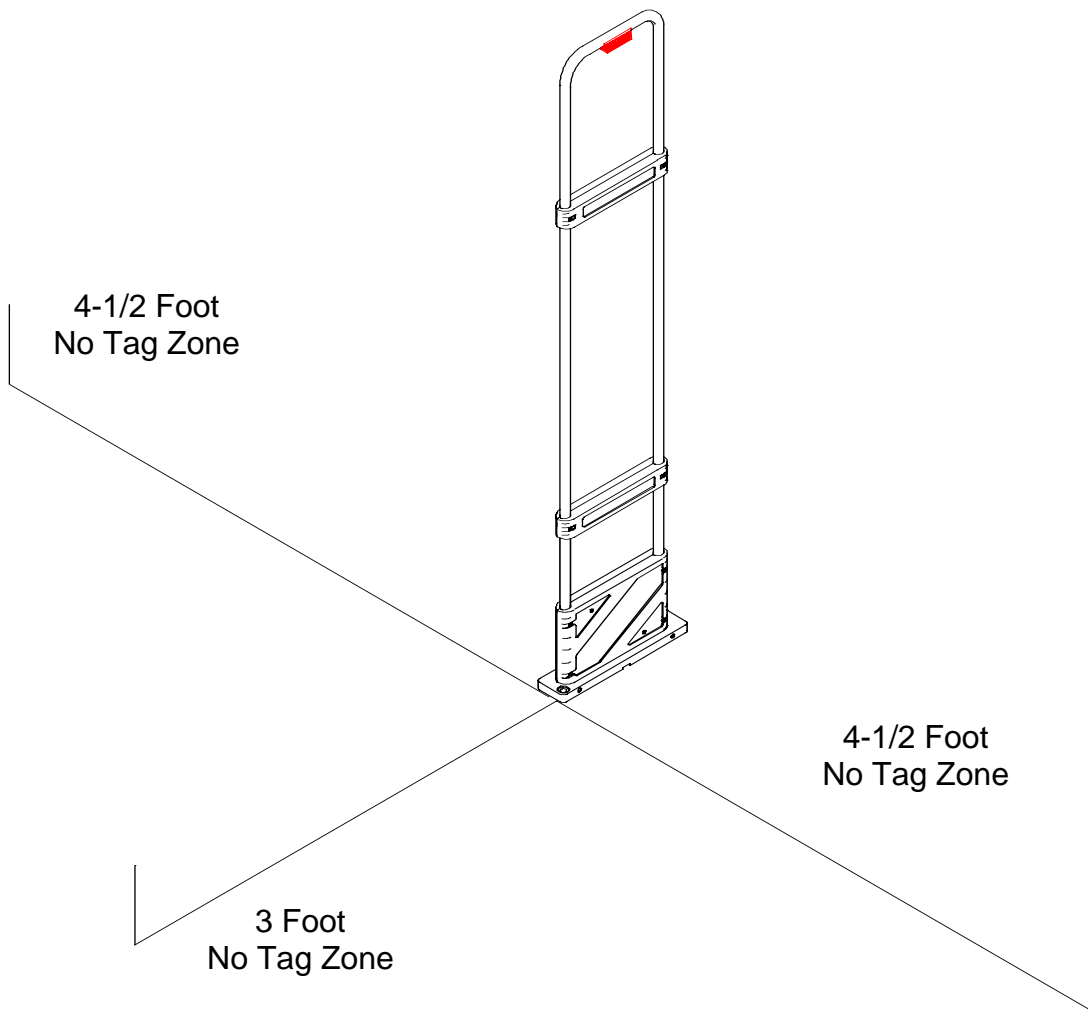
The first step is to place the hard tag into the detacher then press on the head of the pin. This should release the pressure on the locks allowing you to remove the pin.

If you are still unable to release the pin you can tap the locking mechanism (raised area) on the corner of the sales counter, then put the hard tag back into the detacher. The pin should now release.

THIS SPACE INTENTIONALLY LEFT BLANK

DETECTION AREA

The Vector system will detect hard tags within 4 feet to each side and 3 feet in front of and back of the antenna. We recommend that you keep all merchandise with hard tags a minimum of 4-1/2 feet from the sides of the system and 3 feet from the front of and back of the system. This will reduce the possibility of the system being alarmed by the displayed merchandise.



ALARM HANDLING

There are three reasons for the system to alarm:

1. The **REAL** alarm:
The occurrence of a shoplifting attempt.
2. The **ACCIDENTAL** alarm:
 - a) Personnel neglected to remove a tag at the point of sale.
 - b) An electronic security access card has been carried into the store by a customer, or
 - c) A previously purchased product, with an active tag, from another store using a similar system.
3. The **PHANTOM** alarm:
The alarm sounds for no apparent reason.

If an alarm occurs follow your companies policies and procedures for the type of alarm event.

TROUBLESHOOTING

If a problem develops with the Vector system it is usually caused by common occurrences. The following is a basic troubleshooting guide to be used prior to contacting your supplier if the need arises. **DO NOT MAKE ANY INTERNAL ADJUSTMENTS TO THE SYSTEM PRIOR TO CONTACTING YOUR SUPPLIER.**

NO DETECTION

1. Insure that the power supply is plugged into an AC with the proper voltage.
2. Feel the case of the power supply for warmth. Warmth indicates the power supply is generating low voltage.
3. Check system detection with more than one hard tag.
4. Turn system 90 degrees and check for detection.
5. Move system to different area of store to check for detection.

WEAK DETECTION

1. Turn system 90 degrees and check detection.
2. Move system to different area of store and check detection.

PHANTOM ALARMS

1. Insure that no hard tags are within 4-1/2 feet of the system.
2. Turn system 90 degrees and monitor phantom alarms.
3. Move system to different area of store and monitor phantom alarms.

Contact your supplier for further instructions.